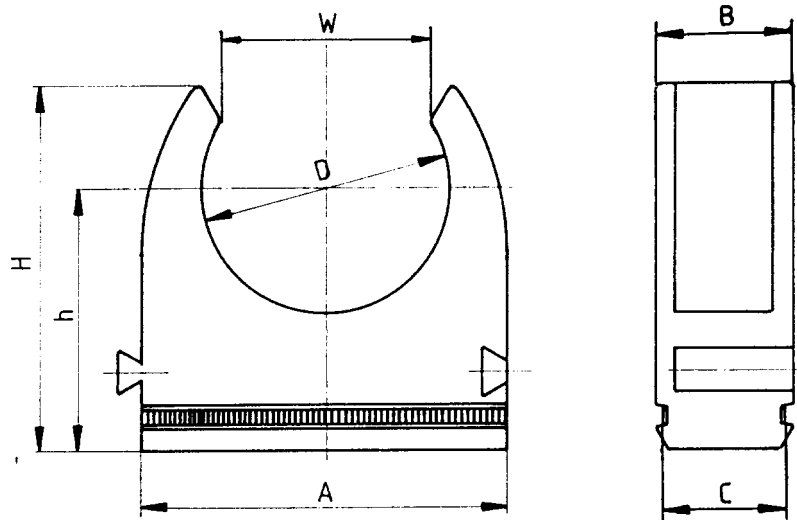


DATASHEET

Clips CL



Material: U-PVC

Farbe: lightgrey (RAL 7035)
darkgrey (RAL 7037)
black (RAL 9005)
white (RAL 9010)

Type	Weight kg/100 pcs	Packing small/large	A	B	C	D	H	h	W	Heat of combustion MJ/100 pcs
CL 16	0,4	100/4000	22,0	12,0	10,0	15,4	25,0	17,5	12,7	10,4
CL 20	0,5	100/3200	27,0	12,0	10,0	19,5	28,3	20,8	17,5	13,0
CL 25	0,7	100/2400	34,0	12,0	10,0	24,6	36,0	25,0	20,4	18,2
CL 32	0,8	100/1600	41,0	12,0	10,0	31,5	38,5	26,5	26,0	21,0
CL 40	1,3	50/800	52,0	12,0	10,0	39,4	47,0	32,7	34,0	34,0
CL 50	1,6	50/600	62,0	12,0	10,0	49,4	54,5	37,7	43,0	42,0
CL 63	2,3	25/300	78,0	12,0	10,0	62,4	65,0	44,2	55,0	60,0